

## DS88838 Quad Unified Bus Transceiver

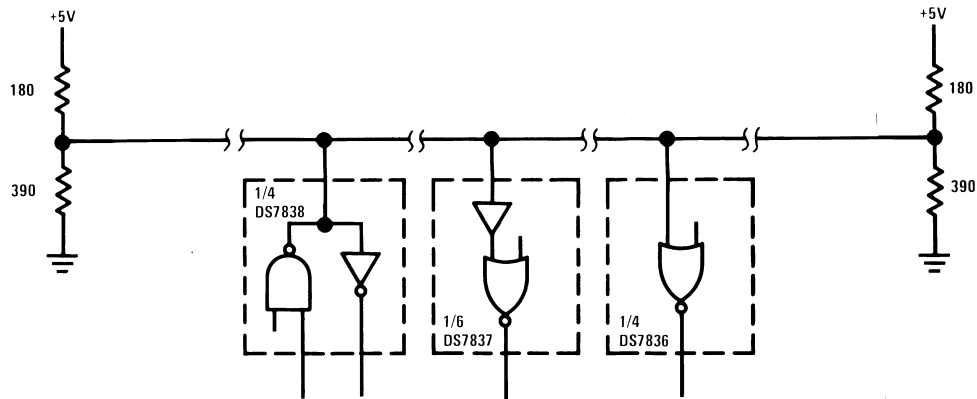
### General Description

The DS88838 is a quad high speed driver/receiver designed for use in bus organized data transmission systems interconnected by terminated 120Ω impedance lines. The external termination is intended to be 180Ω resistor from the bus to the +5V logic supply together with a 390Ω resistor from the bus to ground. The bus can be terminated at one or both ends. Low bus pin current allows up to 27 driver/receiver pairs to utilize a common bus. The bus loading is unchanged when  $V_{CC} = 0V$ . The receivers incorporate hysteresis to greatly enhance bus noise immunity. One two-input NOR gate is included to disable all drivers in a package simultaneously. Receiver performance is optimized for systems with bus rise and fall times  $\leq 1.0 \mu s/V$ .

### Features

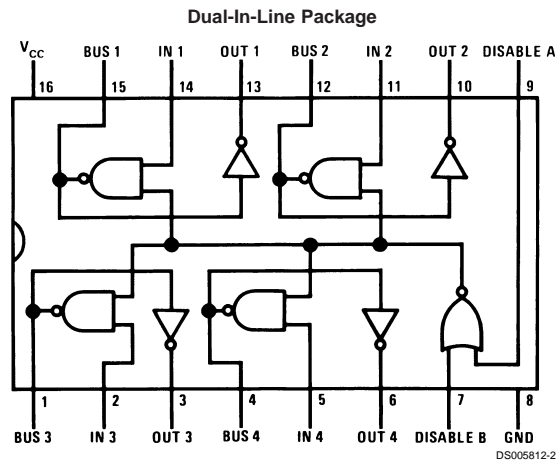
- 4 totally separate driver/receiver pairs per package
- 1V typical receiver input hysteresis
- Receiver hysteresis independent of receiver output load
- Guaranteed minimum bus noise immunity of 1.3V, 2V typ.
- Temperature-insensitive receiver thresholds track bus logic levels
- 20  $\mu A$  typical bus terminal current with normal  $V_{CC}$  or with  $V_{CC} = 0V$
- Open collector driver output allows wire-OR connection
- High speed
- Series 74 TTL compatible driver and disable inputs and receiver outputs

### Typical Application



DS005812-1

## Connection Diagram



Top View

Order Number DS7838J, DS8838M or DS8838N  
See NS Package Number J16A, M16A or N16A

## Absolute Maximum Ratings (Note 2)

If Military/Aerospace specified devices are required, please contact the National Semiconductor Sales Office/Distributors for availability and specifications.

Supply Voltage	7V
Input and Output Voltage	5.5V
Storage Temperature Range	-65°C to +150°C
Lead Temperature, (Soldering, 4 sec.)	260°C

Maximum Power Dissipation (Note 1) at 25°C

Cavity Package: 1433 mW

Molded DIP Package: 1362 mW

SO Package: 1002 mW

## Operating Conditions

Operating Temperature Range	0°C to +70°C
Supply Voltage ( $V_{CC}$ )	$4.75V \leq V_{CC} \leq 5.25V$

**Note 1:** Derate cavity package 9.6 mW/°C above 25°C; derate molded DIP package 10.9 mW/°C above 25°C; derate SO package 8.01 mW/°C above 25°C.

## Electrical Characteristics

The following apply for  $V_{MIN} \leq V_{CC} \leq V_{MAX}$ ,  $T_{MIN} \leq T_A \leq T_{MAX}$ , unless otherwise specified (Notes 3, 4)

Symbol	Parameter	Conditions	Min	Typ	Max	Units
<b>DRIVER AND DISABLE INPUTS</b>						
$V_{IH}$	Logical "1" Input Voltage		2.0			V
$V_{IL}$	Logical "0" Input Voltage				0.8	V
$I_I$	Logical "1" Input Current	$V_{IN} = 5.5V$			1	mA
$I_{IH}$	Logical "1" Input Current	$V_{IN} = 2.4V$			40	μA
$I_{IL}$	Logical "0" Input Current	$V_{IN} = 0.4V$			-1.6	mA
$V_{CL}$	Input Diode Clamp Voltage	$I_{DIS} = -12\text{ mA}$ , $I_{IN} = -12\text{ mA}$ , $I_{BUS} = -12\text{ mA}$ , $T_A = 25^\circ\text{C}$		-1	-1.5	V
<b>DRIVER OUTPUT/RECEIVER INPUT</b>						
$V_{OLB}$	Low Level Bus Voltage	$V_{DIS} = 0.8V$ , $V_{IN} = 2V$ , $I_{BUS} = 50\text{ mA}$		0.4	0.7	V
$I_{IHB}$	Maximum Bus Current	$V_{IN} = 0.8V$ , $V_{BUS} = 4V$ , $V_{CC} = V_{MAX}$		20	100	μA
$I_{ILB}$	Maximum Bus Current	$V_{IN} = 0.8V$ , $V_{BUS} = 4V$ , $V_{CC} = 0V$		2	100	μA
$V_{IH}$	High Level Receiver Threshold	$V_{IND} = 0.8V$ , $I_{OL} = 16\text{ mA}$ , $V_{CC} = \text{Max}$	1.80	2.25	2.50	V
$V_{IL}$	Low Level Receiver Threshold	$V_{IND} = 0.8V$ , $V_{OH} = -400\text{ μA}$ , $V_{CC} = \text{Min}$	1.05	1.30	1.55	V
<b>RECEIVER OUTPUT</b>						
$V_{OH}$	Logical "1" Output Voltage	$V_{IN} = 0.8V$ , $V_{BUS} = 0.5V$ , $I_{OH} = -400\text{ μA}$	2.4			V
$V_{OL}$	Logical "0" Output Voltage	$V_{IN} = 0.8V$ , $V_{BUS} = 4V$ , $I_{OL} = 16\text{ mA}$		0.25	0.4	V
$I_{OS}$	Output Short Circuit Current	$V_{DIS} = 0.8V$ , $V_{IN} = 0.8V$ , $V_{BUS} = 0.5V$ , $V_{OS} = 0V$ , $V_{CC} = V_{MAX}$ , (Note 5)	-18		-55	mA
$I_{CC}$	Supply Current	$V_{DIS} = 0V$ , $V_{IN} = 2V$ , (Per Package)		50	70	mA
$t_{pd}$	Propagation Delays (Note 9)					
	Disable to Bus "1"	(Note 6)		19	30	ns
	Disable to Bus "0"	(Note 6)		15	23	ns
	Driver Input to Bus "1"	(Note 6)		17	25	ns
	Driver Input to Bus "0"	(Note 6)		9	15	ns
	Bus to Logical "1" Receiver Output	(Note 7)		20	30	ns
Bus to Logical "0" Receiver Output	(Note 8)		18	30	ns	

**Note 2:** "Absolute Maximum Ratings" are those values beyond which the safety of the device cannot be guaranteed. Except for "Operating Temperature Range" they are not meant to imply that the devices should be operated at these limits. The table of "Electrical Characteristics" provides conditions for actual device operation.

**Note 3:** Unless otherwise specified min/max limits apply across the -55°C to +125°C temperature range for the DS7838 and across the 0°C to +70°C range for the DS8838. All typical values are for  $T_A = 25^\circ\text{C}$  and  $V_{CC} = 5V$ .

**Note 4:** All currents into device pins shown as positive, out of device pins as negative, all voltages referenced to ground unless otherwise noted. All values shown as max or min on absolute value basis.

**Note 5:** Only one output at a time should be shorted.

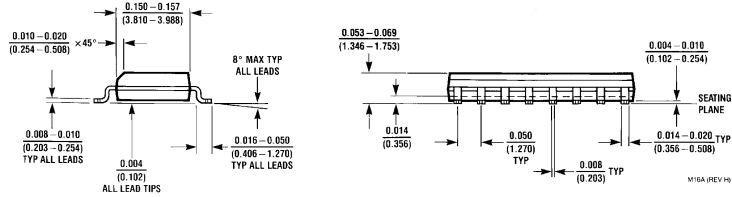
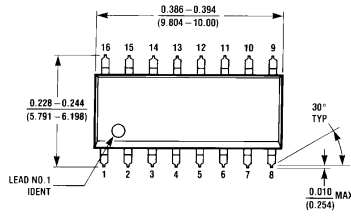
**Note 6:** 91Ω from bus pin to  $V_{CC}$  and 200Ω from bus pin to ground,  $C_{LOAD} = 15\text{ pF}$  total. Measured from  $V_{IN} = 1.5V$  to  $V_{BUS} = 1.5V$ ,  $V_{IN} = 0V$  to 3.0V pulse.

**Note 7:** Fan-out of 10 load,  $C_{LOAD} = 15\text{ pF}$  total. Measured from  $V_{IN} = 1.3V$  to  $V_{OUT} = 1.5V$ ,  $V_{IN} = 0V$  to 3.0V pulse.

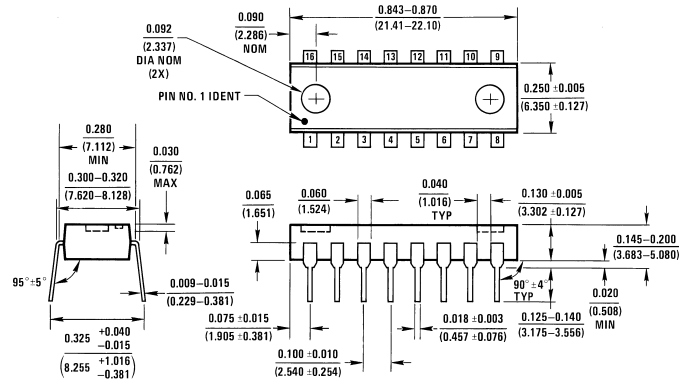
**Note 8:** Fan-out of 10 load,  $C_{LOAD} = 15\text{ pF}$  total. Measured from  $V_{IN} = 2.3V$  to  $V_{OUT} = 1.5V$ ,  $V_{IN} = 0V$  to 3.0V pulse.

**Note 9:** These apply for  $V_{CC} = 5V$ ,  $T_A = 25^\circ\text{C}$  unless otherwise specified.

**Physical Dimensions** inches (millimeters) unless otherwise noted



**SO Package (M)**  
**Order Number DS8838M**  
**NS Package Number M16A**



**Molded Dual-In-Line Package (N)**  
**Order Number DS8838N**  
**NS Package Number N16A**

## Notes

### LIFE SUPPORT POLICY

NATIONAL'S PRODUCTS ARE NOT AUTHORIZED FOR USE AS CRITICAL COMPONENTS IN LIFE SUPPORT DEVICES OR SYSTEMS WITHOUT THE EXPRESS WRITTEN APPROVAL OF THE PRESIDENT AND GENERAL COUNSEL OF NATIONAL SEMICONDUCTOR CORPORATION. As used herein:

1. Life support devices or systems are devices or systems which, (a) are intended for surgical implant into the body, or (b) support or sustain life, and whose failure to perform when properly used in accordance with instructions for use provided in the labeling, can be reasonably expected to result in a significant injury to the user.
2. A critical component is any component of a life support device or system whose failure to perform can be reasonably expected to cause the failure of the life support device or system, or to affect its safety or effectiveness.



**National Semiconductor Corporation**  
Americas  
Tel: 1-800-272-9959  
Fax: 1-800-737-7018  
Email: support@nsc.com

www.national.com

**National Semiconductor Europe**  
Fax: +49 (0) 1 80-530 85 86  
Email: europe.support@nsc.com  
Deutsch Tel: +49 (0) 1 80-530 85 85  
English Tel: +49 (0) 1 80-532 78 32  
Français Tel: +49 (0) 1 80-532 93 58  
Italiano Tel: +49 (0) 1 80-534 16 80

**National Semiconductor Asia Pacific Customer Response Group**  
Tel: 65-2544466  
Fax: 65-2504466  
Email: sea.support@nsc.com

**National Semiconductor Japan Ltd.**  
Tel: 81-3-5639-7560  
Fax: 81-3-5639-7507